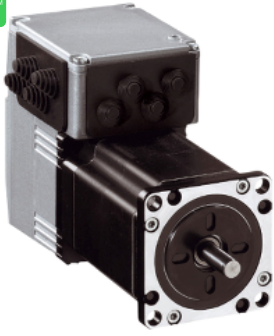


# Product data sheet

Specifications



## integrated drive ILS with stepper motor - 24..36 V - CANopen DS301 - 3.5A

ILS1F572PB1A0

Product availability : Stock - Normally stocked in distribution facility

**Price\* : 920.00 USD**

### Main

Range of Product	Lexium integrated drive
Product or Component Type	Motion integrated drive
Device short name	ILS
Motor Type	3-phase stepper motor
Number of motor poles	6
Phase	Single phase
[Us] rated supply voltage	24 V 36 V
Network type	DC
Communication interface	CANopen DS301, Integrated
Length	4.56 in (115.9 mm)
Winding type	Medium speed of rotation and medium torque
Electrical Connection	Printed circuit board connector
Holding brake	Without
Gear box type	Without
Nominal speed	300 rpm 24 V 600 rpm 36 V
Nominal torque	7.97 lbf.in (0.9 N.m)
Holding torque	9.03 lbf.in (1.02 N.m)

### Complementary

Transmission rate	50, 100, 125, 250, 500, 800 and 1000 kbauds
Mounting Support	Flange
Motor flange size	2.24 in (57 mm)
Number of motor stacks	2
Centring collar diameter	1.50 in (38.1 mm)
Centring collar depth	0.06 in (1.6 mm)
Number of mounting holes	4
Mounting holes diameter	0.20 in (5.2 mm)

\* Price is "List Price" and may be subject to a trade discount – check with your local distributor or retailer for actual price.

<b>Circle diameter of the mounting holes</b>	2.62 in (66.6 mm)
<b>Feedback type</b>	Index pulse
<b>Shaft end</b>	Untapped
<b>Second shaft</b>	Without second shaft end
<b>Shaft diameter</b>	0.25 in (6.35 mm)
<b>Shaft length</b>	0.83 in (21 mm)
<b>Supply voltage limits</b>	18...40 V
<b>Current consumption</b>	3500 mA maximum
<b>Associated fuse rating</b>	10 A
<b>Input/Output type</b>	4 signals (each be used as input or output)
<b>Voltage state 0 guaranteed</b>	-3...4.5 V
<b>Voltage state 1 guaranteed</b>	15...30 V
<b>Discrete input current</b>	10 mA at 24 V on/STO_A safety input 3 mA at 24 V on/STO_B safety input 2 mA at 24 V 24 V signal interface
<b>Discrete output voltage</b>	23...25 V
<b>Maximum switching current</b>	100 mA per output 200 mA total
<b>Protection Type</b>	Safe torque off Overload of output voltage Short circuit of the output voltage
<b>Peak stall torque</b>	7.97 lbf.in (0.9 N.m)
<b>Continuous stall torque</b>	7.97 lbf.in (0.9 N.m)
<b>Speed feedback resolution</b>	20000 points/turn
<b>Accuracy error</b>	+/- 6 arc min
<b>Rotor inertia</b>	0.22 kg.cm <sup>2</sup>
<b>Maximum mechanical speed</b>	3000 rpm
<b>Maximum radial force Fr</b>	24 N
<b>Maximum axial force Fa</b>	100 N tensile force) 8.4 N force pressure)
<b>Service life in hours</b>	20000 h bearing
<b>Marking</b>	CE
<b>Type of cooling</b>	Natural convection
<b>Net Weight</b>	3.53 lb(US) (1.6 kg)

## Environment

<b>Standards</b>	EN/IEC 61800-3 EN 61800-3:2001, second environment EN 50347 EN 61800-3 : 2001-02 IEC 61800-3, Ed 2 IEC 60072-1 EN/IEC 50178
<b>Product certifications</b>	cUL UL TÜV
<b>Ambient air temperature for operation</b>	122...149 °F (50...65 °C) with power derating of 2 % per °C) 32...122 °F (0...50 °C) without derating)
<b>Permissible ambient air temperature around the device</b>	221 °F (105 °C) power amplifier 230 °F (110 °C) motor
<b>Ambient Air Temperature for Storage</b>	-13...158 °F (-25...70 °C)

Operating altitude	<= 3280.84 ft (1000 m) without derating
Relative humidity	15...85 % without condensation
Vibration resistance	20 m/s <sup>2</sup> 10...500 Hz) 10 cycles EN/IEC 60068-2-6
Shock resistance	150 m/s <sup>2</sup> 1000 shocks EN/IEC 60068-2-29
IP degree of protection	Shaft bushing IP41 EN/IEC 60034-5 Total except shaft bushing IP54 EN/IEC 60034-5

## Ordering and shipping details

Category	18288-LEXIUM INTEGRATED DRIVES II
Discount Schedule	PC56
GTIN	3389119227063
Nbr. of units in pkg.	1
Package weight(Lbs)	3.82 lb(US) (1.732 kg)
Returnability	No
Country of origin	DE

## Packing Units

Unit Type of Package 1	PCE
Package 1 Height	4.13 in (10.5 cm)
Package 1 width	6.69 in (17 cm)
Package 1 Length	9.65 in (24.5 cm)
Unit Type of Package 2	S04
Number of Units in Package 2	5
Package 2 Weight	21.02 lb(US) (9.534 kg)
Package 2 Height	11.81 in (30 cm)
Package 2 width	15.75 in (40 cm)
Package 2 Length	23.62 in (60 cm)

## Offer Sustainability

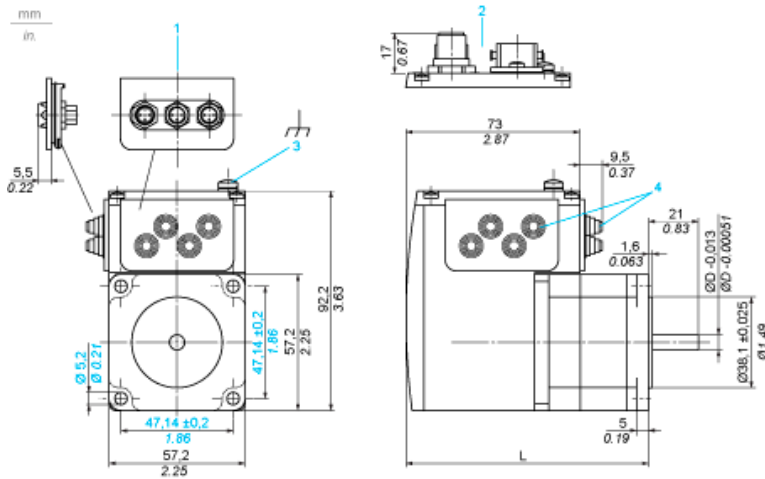
Sustainable offer status	Green Premium product
California proposition 65	WARNING: This product can expose you to chemicals including: Lead and lead compounds, which is known to the State of California to cause cancer and birth defects or other reproductive harm. For more information go to <a href="http://www.P65Warnings.ca.gov">www.P65Warnings.ca.gov</a>
REACH Regulation	<a href="#">REACH Declaration</a>
EU RoHS Directive	Pro-active compliance (Product out of EU RoHS legal scope) <a href="#">EU RoHS Declaration</a>
Mercury free	Yes
RoHS exemption information	<a href="#">Yes</a>
China RoHS Regulation	<a href="#">China RoHS declaration</a>
Environmental Disclosure	<a href="#">Product Environmental Profile</a>
Circularity Profile	<a href="#">End of Life Information</a>
WEEE	The product must be disposed on European Union markets following specific waste collection and never end up in rubbish bins.
PVC free	Yes

## Contractual warranty

Warranty	18 months
----------	-----------

Integrated Drive

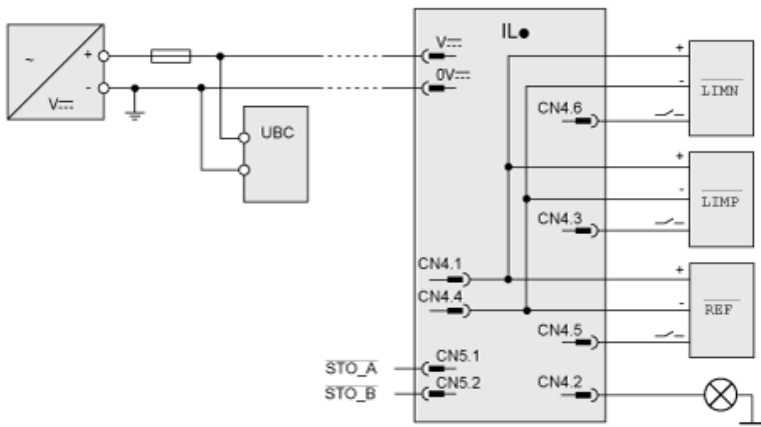
Dimensions



- 1 Accessories: I/O signal insert with industrial connectors
- 2 Option: industrial connectors
- 3 Earth (ground) terminal
- 4 Accessories: cable entries  $\text{Ø} = 3 \dots 9 \text{ mm} / 0.12 \dots 0.35 \text{ in.}$
- L 115.9 mm / 4.56 in.
- D 6.35 mm / 0.25 in.

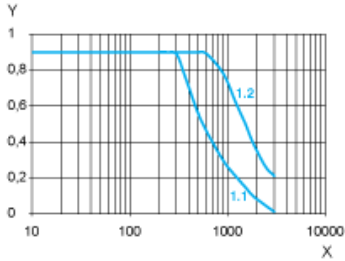
## Connection Example with 4 I/O Signals

---



**Torque Characteristics**

---



- X** Speed of rotation in rpm
- Y** Torque in Nm
- 1.1** Max. torque at 24 V
- 1.2** Max. torque at 36 V